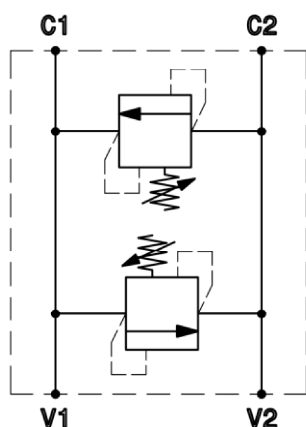
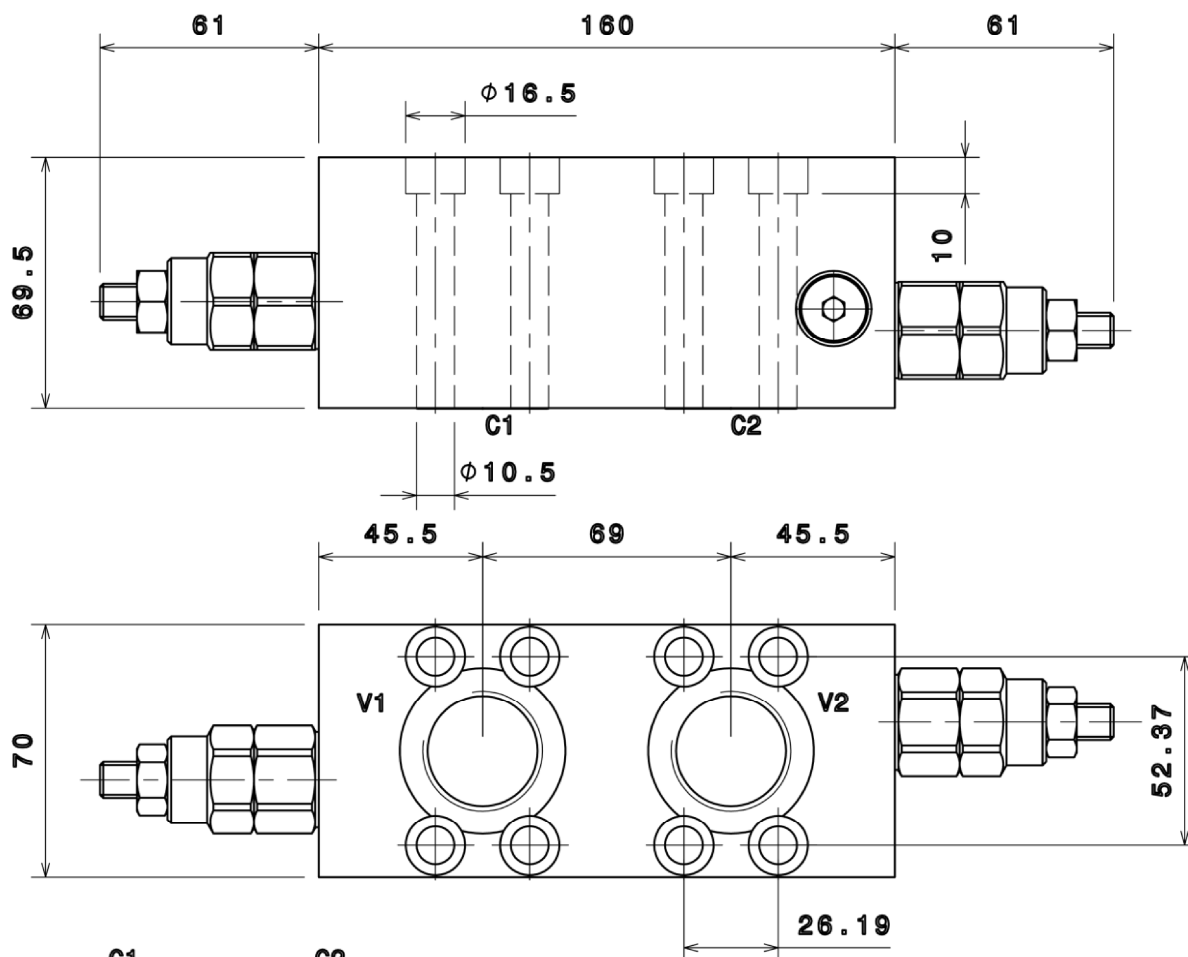


RVDA 80



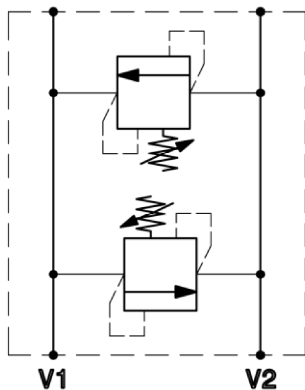
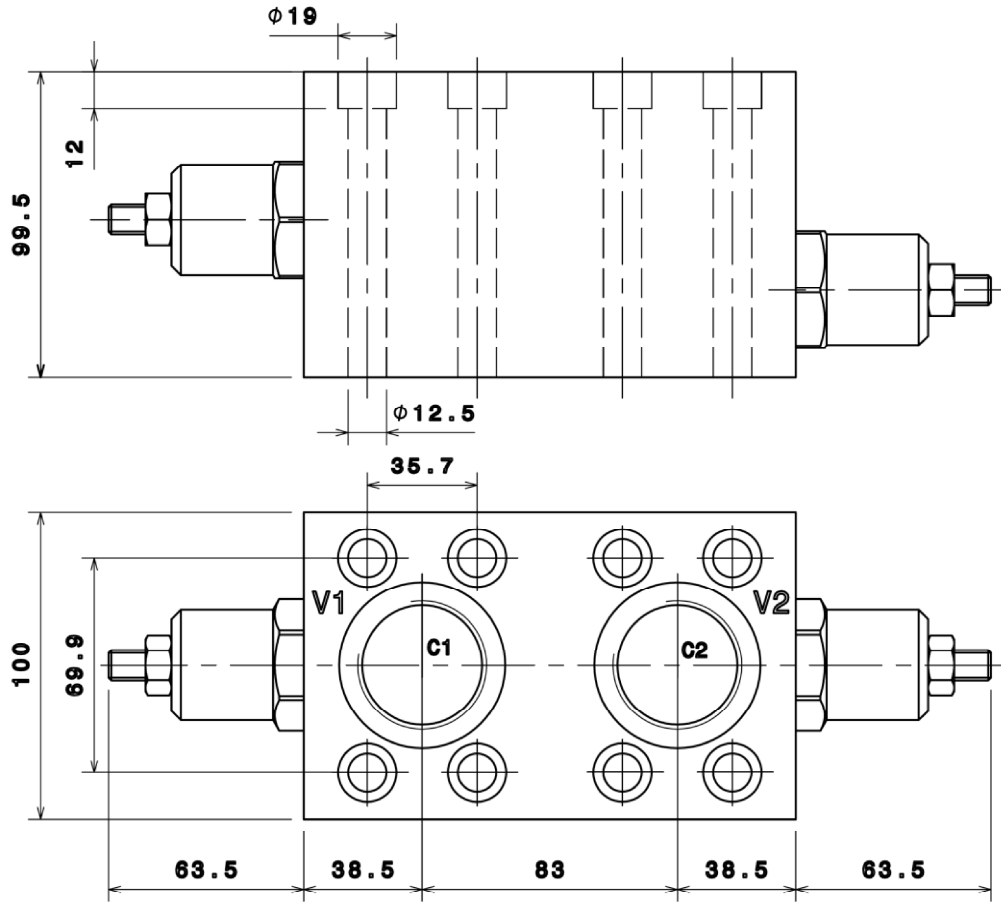
PORTS DIMENSION	
V1,V2	1" BSPP
C1,C2	O-ring 2-125

TECHNICAL DATA	
Material	Anodized aluminium corrosion resistant
Maximum pressure	300 bar
Maximum flow rate	80 l/min
Relief valve setting range	A
	20-100 bar standard setting 80 bar
	B
40-250 bar standard setting 180 bar	
C	
60-350 bar standard setting 250 bar	

Intermot distributor fitting

D47

RVDA 200



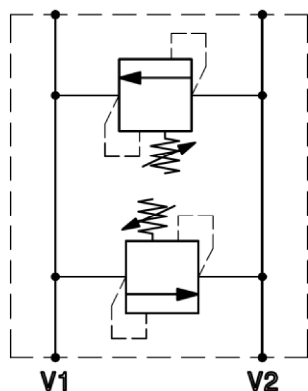
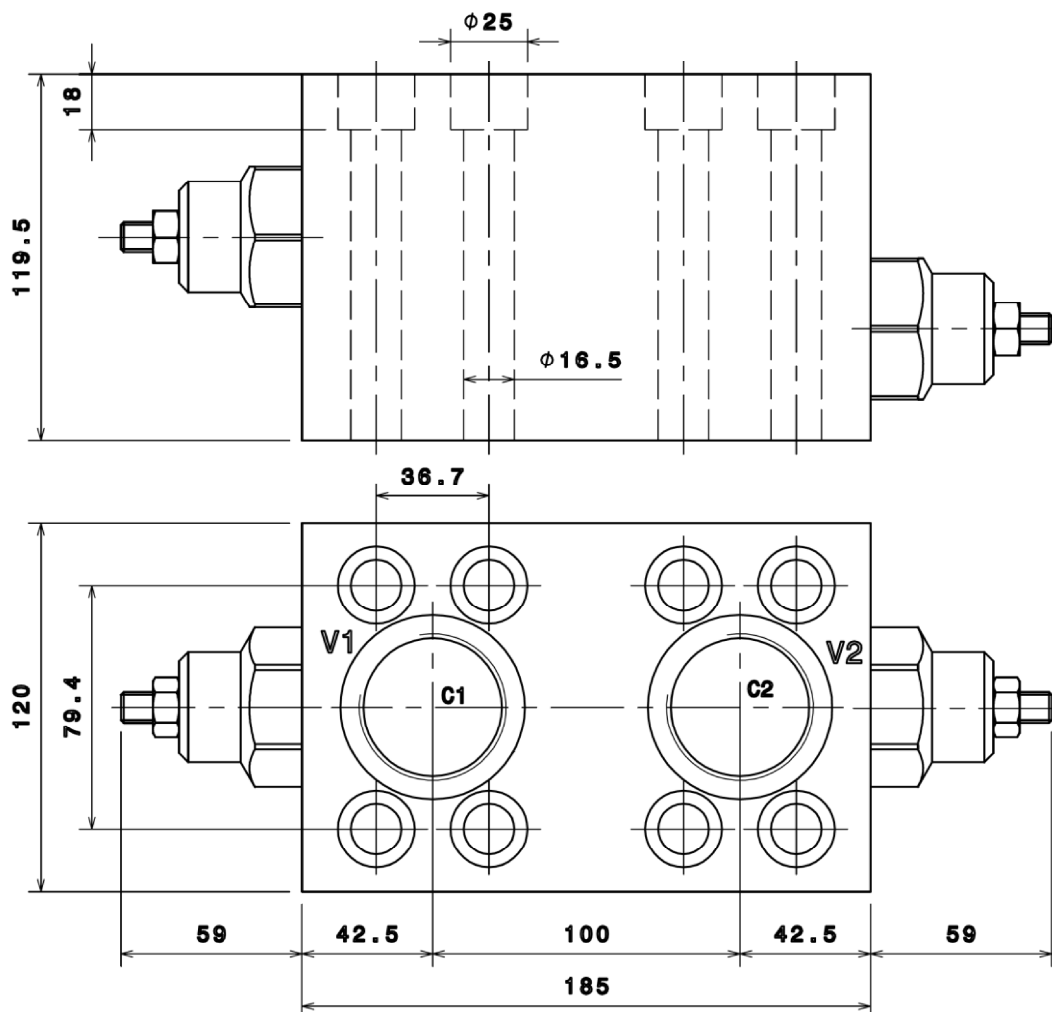
PORTS DIMENSION	
V1,V2	1"1/4 BSPP
C1,C2	O-Ring 2-224

TECHNICAL DATA	
Material	Anodized aluminium corrosion resistant
Maximum pressure	300 bar
Maximum flow rate	200 l/min
Relief valve setting range	A
	20-100 bar standard setting 80 bar
	B
40-250 bar standard setting 180 bar	
C	
60-350 bar standard setting 250 bar	

Intermot distributor fitting

D75

RVDA 380



PORTS DIMENSION	
V1,V2	1"1/2 BSPP
C1,C2	O-Ring 2-225

TECHNICAL DATA	
Material	Anodized aluminium corrosion resistant
Maximum pressure	300 bar
Maximum flow rate	380 l/min
Relief valve setting range	A
	20-100 bar standard setting 80 bar
	B
40-250 bar standard setting 180 bar	
C	
60-350 bar standard setting 250 bar	

Intermot distributor fitting

D90